



Fiddler's Rag

Vol. 41, Number 9
Celebrating 40 years

Santa Clara Valley Fiddlers Association
www.scvfa.org or www.fiddlers.org

September 2013
Next Jam: Sept. 1



President's Note

The August 4 jam had perfect weather and many visitors from the community. Spread the word and invite folks to the park again on September 1 for our third and last jam in the park this year.

It's free since we do not pay to use the park! We're back at Hoover Middle School on October 6.

It's a Small World

Janet and I attended the Columbia Gorge Bluegrass Festival in Stevenson, WA where we saw guitarist Lex White and his father banjoist Earl. Both attended our park jam last year. They now live in Eugene, OR and Vancouver, WA.

Taking the same plane home were the Jacksons: Scott, Julie, Ben and Amanda. Both Ben and Amanda have entered our youth fiddle contest. Ben is playing classical violin and Amanda is playing the viola.

October 6 Featured Performer Sought

Our "Featured Performer" slot on October 6 is still open. There's no money exchanged, but you or your group get publicity and your photo in the Rag and on our website. We get to enjoy your performance. The Board will make the final decision on September 8.

Newsletter Photos

Allan French deserves credit for taking the photo on the back of last month's Rag. We forgot the attribution. If you enjoy seeing photos in the Rag, contribute some. Email them to newsletter@fiddlers.org. You will be acknowledged if they are used.

Publicity Chairperson needed

We still need help with publicity to get the word out about our jams and to inquire about performing in the community at senior centers and music events.

2013 Youth Fiddle Contest Uncertain

Having a 2013 Youth Fiddle Contest depends on having a contest chairperson. Pete Showman is willing to work with him or her so it will be a team effort.

SCVFA Happenings

October KidFiddle

Luke Abbott will return to the October jam to teach our fall KidFiddle workshop. KidFiddle workshops are intended for advanced-beginner to intermediate fiddlers 17 and under. Participants should be able to play one or two tunes. Tuition is only \$5.



Luke Abbott

Sign up in advance with youth programs coordinator Mary Kennedy: email KidFiddle@scvfa.org

Correction: September Jam Date

Our website has been showing an incorrect date for the September jam. The correct date is September 1, the first Sunday as usual. The September jam will be our last of the year at the Rose Garden Park. In October we will return to Hoover Middle School.

Trustee Opening in February

Trustee Barbara Rosner has decided not to run again when her term ends, in February 2014. If you would like to be considered as a nominee for the February trustee election, or would just like to learn more about SCVFA leadership, contact Richard or any board member (see page 2).

In This Issue:

Page

President's Message	1
SCVFA Happenings.....	1
Photos from the "Good Old Fashioned".....	2
Tune: Ducks on the Pond	3

The Fiddler's Rag is published monthly by the Santa Clara Valley Fiddlers Association and is provided to members of the Association. The Santa Clara Valley Fiddlers Association (SCVFA), founded in 1973 in San Jose, California, is a nonprofit, volunteer-operated 501(c)(3) organization dedicated to the preservation, teaching, and enjoyment of traditional music.

The first membership in a household includes the Fiddler's Rag; additional members sharing the newsletter are steeply discounted. To join, sign up at the jam or see www.fiddlers.org/join.

Officers and Chairs

President-Trustee ...	Richard J. Brooks	Newsletter Publisher ..	Charlotte Prater
Vice President	OPEN	Performances Contact ..	Dave Williams
Recording Secretary .	Dinah Showman	Publicity	OPEN
Treasurer	Janet Johnston	Webmaster	Pete Showman
Membership Secretary .	Pete Showman	Youth Activities	Mary Kennedy
News Editor OPEN (<i>Pete Showman, acting</i>)		2013 Youth Fiddle Contest	OPEN

Trustees

Seat 1: Pete Showman	Seat 3: George Bradshaw	Seat 5: Dave Williams
Seat 2: Barbara Rosner	Seat 4: Charlotte Prater	Seat 6: Tom Clausen

To Contact the SCVFA:

Mail: P.O. Box 2666, Cupertino, CA 95015-2666
 Email to Richard Brooks: [president at fiddlers.org](mailto:president@fiddlers.org) Phone: (650) 328-3939

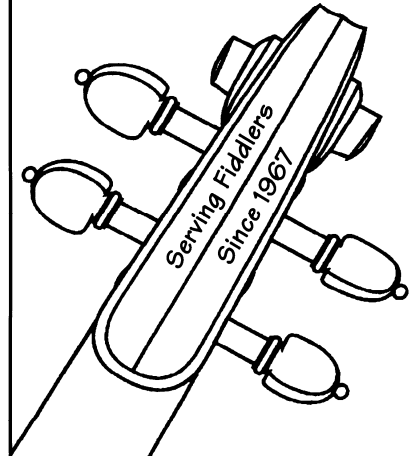
Newsletter Submissions & Comments:

Email: [newsletter at fiddlers.org](mailto:newsletter@fiddlers.org)
 Website: www.scvfa.org or www.fiddlers.org
 Copyright 2013, Santa Clara Valley Fiddlers Association

KAMIMOTO

STRING INSTRUMENTS

“Fiddles
for
Every Style...”



Photos from the “Good Old Fashioned”



Richard Brooks photo

(L-R): **John Durbin**, **Connie Moxness**, **Paul Clarke** and **Marilyn Bruner** entertain at the Good Old Fashioned Bluegrass Festival.



Richard Brooks photo

(L-R): **Ted Kuster**, **Lani Way**, **Peter Ludé**, **Helen Ludé**, **Alex Sharp**.

- New & Old Instruments
- Repairs & Restorations
- One-hour bow rehairing (by appt.)
- Rentals: Violin, Viola, Cello, Bass

Hours: Mon-Sat 10:00 - 5:30

[408] 298-8168
www.kamimotostrings.com

609 North Fourth Street
 San Jose, CA 95112

[800] 892-3199

Fax: [408] 298-8198

♩ = 95

Ducks on the Pond

Traditional Old-Time

Key: A dorian

(Henry Reed; high part first)

from Henry Reed via Alan Jabbour

Transcribed by Pete Showman, from Alan Jabbour's 1966 field recording of Virginia fiddler Henry Reed (1884-1968). Jabbour described it as being similar to Lady of the Lake but with the high part first, "reflecting the widespread taste in the Appalachian South for instrumental tunes that begin with the high strain." Transcriptions are found in both high-part-first (e.g. The Fiddler's Fakebook) and low-part-first (e.g. The Portland Collection).

♩ = 95

Ducks on the Pond

Traditional Old-Time

Key: A dorian

(Dorian, low part first)

Arr: Portland Collection

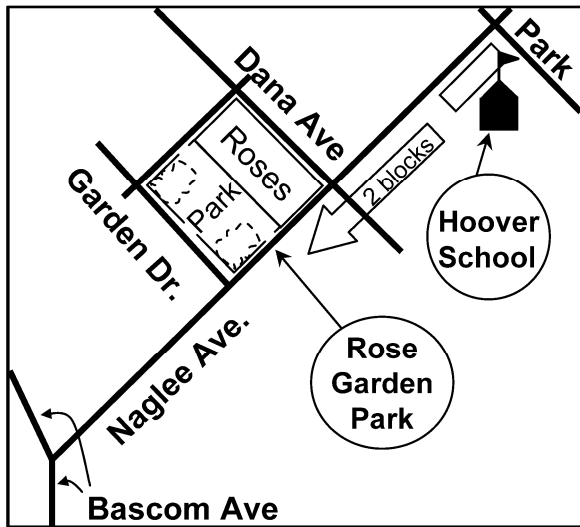
This is essentially the version in the Portland Collection (#1), also found various places on the Web. Being in Dorian it's closer to Henry Reed's playing than the Fiddler's Fakebook version, except that it starts with the low part.

You can download PDFs or hear MIDI files for three versions of Ducks on the Pond at www.showman.org/Tunes.

Santa Clara Valley Fiddlers Association
P.O. Box 2666
Cupertino, CA 95015-2666

**Rose Garden Park
July, August &
September**

**Next Jam: Sunday Sept 1 at 1 pm
Rose Garden Park (see map)
Look for us under the trees!**



Damaged or Missing Issue? Call us,
or email to: newsletter at scvfa.org



Richard Brooks photo

(L-R): Paul Adams, **Linda Maki**, Mike Bell, Beth Berkelhammer, **George Bradshaw** and Gail Hall play at the Rose Garden jam, August 4, 2013